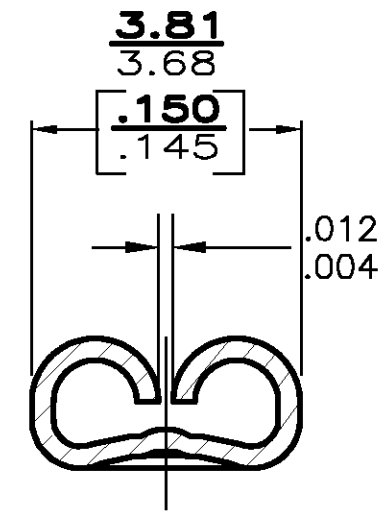
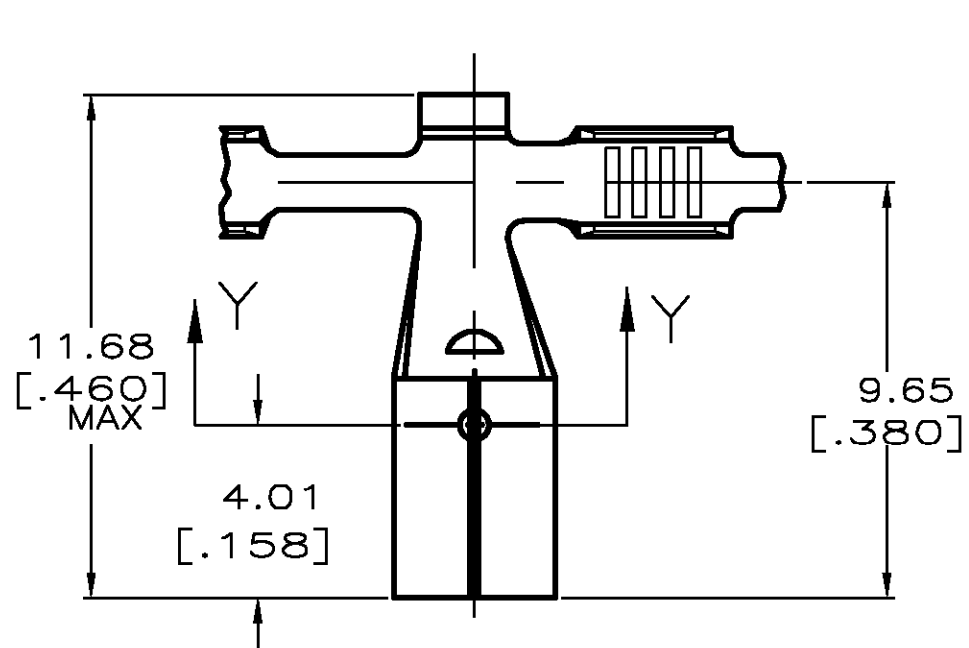
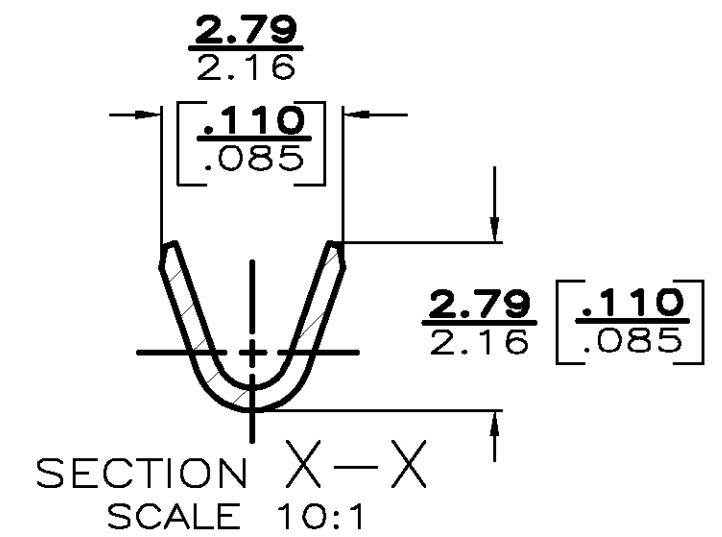
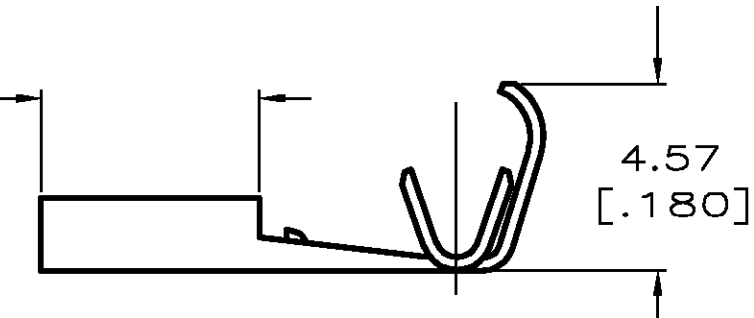
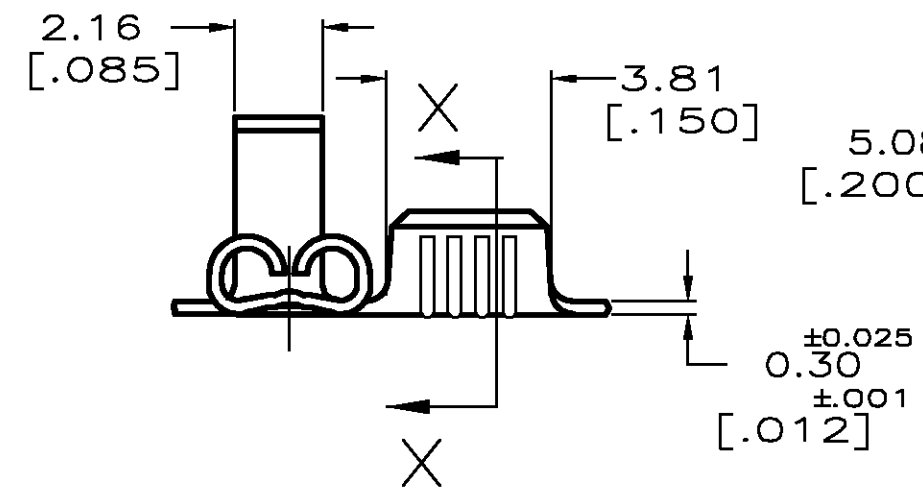


LOC	DIST	REVISIONS				
P	LTR	DESCRIPTION	DATE	DWN	APVD	
AF	50	B	REL PER 0G3A-0687-02	03DEC02	JR PD	



- 1 CONTINUOUS STRIP ON REELS
- 2 MATING TAB THK IS 0.813 ± 0.025 $[\.032 \pm .001]$.
- 3 WIRE SIZE IS [22-18] AWG.
- 4 INSULATION RANGE IS 1.65-2.54 $[\.065-.100]$ DIA.
- 5 TIN PLATE 0.002032 $[\.000080]$ MIN THK.



1217878-1
PART NUMBER

THIS DRAWING IS A CONTROLLED DOCUMENT.		DWN MICHAEL S. FEHER 24SEP2002	Tyco Electronics Corporation Harrisburg, PA 17105													
DIMENSIONS: INCHES		CHK PETE DESANTIS 24SEP2002	NAME RECEPTACLE, FASTON, FLAG, 2.79[.110] SERIES													
TOLERANCES UNLESS OTHERWISE SPECIFIED:		APVD PETE DESANTIS 24SEP2002														
<table border="0"> <tr><td>0 PLC</td><td>± -</td></tr> <tr><td>1 PLC</td><td>± -</td></tr> <tr><td>2 PLC</td><td>± 0.25[.010]</td></tr> <tr><td>3 PLC</td><td>± -</td></tr> <tr><td>4 PLC</td><td>± -</td></tr> <tr><td>ANGLES</td><td>± -</td></tr> </table>		0 PLC	± -	1 PLC	± -	2 PLC	± 0.25[.010]	3 PLC	± -	4 PLC	± -	ANGLES	± -	PRODUCT SPEC -	SIZE A3	CAGE CODE 00779
0 PLC	± -															
1 PLC	± -															
2 PLC	± 0.25[.010]															
3 PLC	± -															
4 PLC	± -															
ANGLES	± -															
MATERIAL H04 BRASS	FINISH - 5	APPLICATION SPEC -	DRAWING NO 1217878	RESTRICTED TO -												
CUSTOMER DRAWING			SCALE 6:1	SHEET 1 OF 1												